

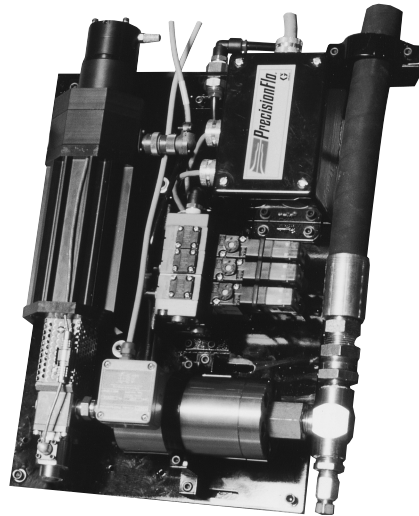


First choice when
quality counts.™

PrecisionFlo™ Sealant & Adhesive Dispensing Systems

- **Two models: PrecisionFlo Plus with color touch screen controller and the PrecisionFlo with panel-mount controller**
- **Continuous flow metering for flexible manufacturing processes that require high cycle rates**
- **Closed loop control provides precision and repeatability of flow rate and material volume**
- **Linear servo meter design provides fast and accurate response times**
- **Servo meter and controller are very user-friendly, and easy to set up, operate and maintain**

**Intuitive,
high
performance
sealant and
adhesive
dispensing for
a variety of
applications**



PrecisionFlo linear servo meter



PrecisionFlo Plus control with color touch screen interface

SEALANT ADHESIVE EQUIPMENT

The PrecisionFlo dispensing systems deliver continuous flow of sealant or adhesive materials to meet a wide range of application requirements. PrecisionFlo offers the use of a panel-mount interface to guide you through your process specifications. PrecisionFlo Plus takes you one step further with an easy-to-use touch screen interface, on-screen diagnostics, and manuals.

The PrecisionFlo systems maintain your desired flow rate irrespective of changes in the operating environment, such as sealant viscosity, temperature, and robot speed while maintaining a uniform volume output.

Fast response allows quick change in bead profiles, faster robot speeds, analog tool tip response, faster cycle times, and increased product quality.

Typical Fluids Handled

- PVC sealants
- Expandable weldable sealants
- Structural adhesives

Typical Applications

- Streaming
- Spraying
- Extruding
- Swirling

PrecisionFlo Plus Controller

More Data for More Performance



System status at a glance

View your system in real time from the screen which verifies system operations input and output immediately. This precise, real time volume compensation lets you know how your system is operating at every moment.

Fast fault correction

If there is a fault condition in your system, the touch screen will display a red fault message. The PrecisionFlo Plus finds the problem and provides you with prioritized step-by-step corrective actions to solve the problem. This enables you to minimize downtime and insures you maximum productivity.

More control over your processes

Large storage capacity makes it possible for you to save process information and transfer it to a database for further analysis. You can retrieve this information from a floppy disk, laptop connection, or the plant network. Data includes the following: time/date, job number, style, set vs. actual volume dispensed, bead size adjustment, parts status, and automatic archival of maintenance fault conditions.

Easy system setup and installation

The PrecisionFlo Plus utilizes menus on the touch screen to offer fast, easy-to-use, and intuitive setup procedures. PrecisionFlo Plus' design facilitates integration into new or existing plants by connecting easily to your plant network. The system is compatible with DeviceNet, ControlNet, EtherNet, Canbus, Profibus, Interbus S and RS 485. Operation, maintenance and diagnostics are simplified with the use of user-friendly controls.

Online service manual

With online service manual information available, you now have immediate access to operation, maintenance, service, system diagrams, troubleshooting, and parts list.

PrecisionFlo Controller High Performance in Simple Applications

Graco's newest PrecisionFlo Plus uses the finest software/hardware technology to give you continuous flow metering with controls. For less demanding applications, the PrecisionFlo model has an easy-to-use panel-mounted display.

The PrecisionFlo controller includes a user-friendly panel-mounted interface which leads you through the set-up and fault response process. It provides fast and accurate programming of pressure limits and flow rate. In addition, process parameters such as pressure and volume are monitored and displayed for your application. It allows the operator to be mobile or close to the point of dispense, where any programmed change may be instantly viewed.

PrecisionFlo Features

- Optional remote pendant
- Compact panel size, fence or stand-mounted
- Warning diagnostics and cycle information
- Menu driven for easy operator use
- Self calibration on command
- Linear scaling of analog signal



PrecisionFlo Control Panel with built-in Interface Pendant

PrecisionFlo Servo Metering Module

High Speed Linear Servo Meter

PrecisionFlo servo metering module uses real-time volume compensation. The meter continuously adjusts the needle position during the dispense cycle to maintain flow rate, compensating for fluid flow deviations.

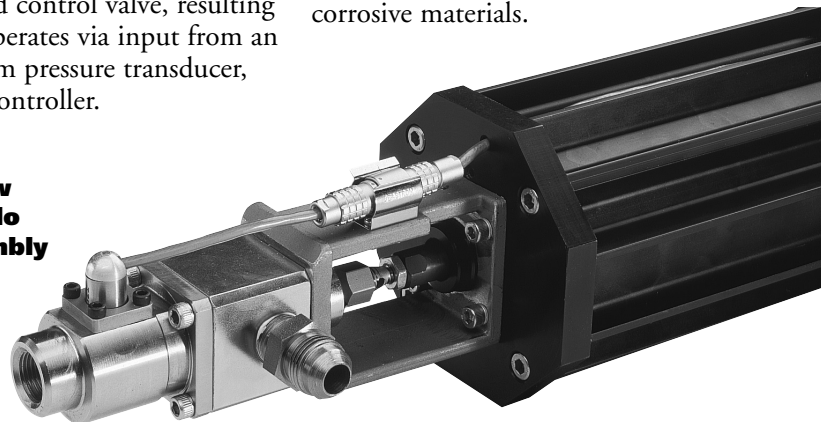
The servo meter unit responds to a robot analog signal by quickly and precisely moving the fluid needle in order to regulate downstream pressure and flow. The unique permanent magnet linear motor provides high-speed shaft movement on demand. The servo meter shaft motion is linear, not rotary, and is directly connected to the fluid control valve, resulting in one moving assembly. It operates via input from an inlet flow meter, a downstream pressure transducer, and a microprocessor-based controller.

Material flow is consistent and assured by closed loop pressure and volume control. The microprocessor controls the PrecisionFlo needle position which meters accurate and consistent output flow based on a pre-programmed value, specific to your application and material.

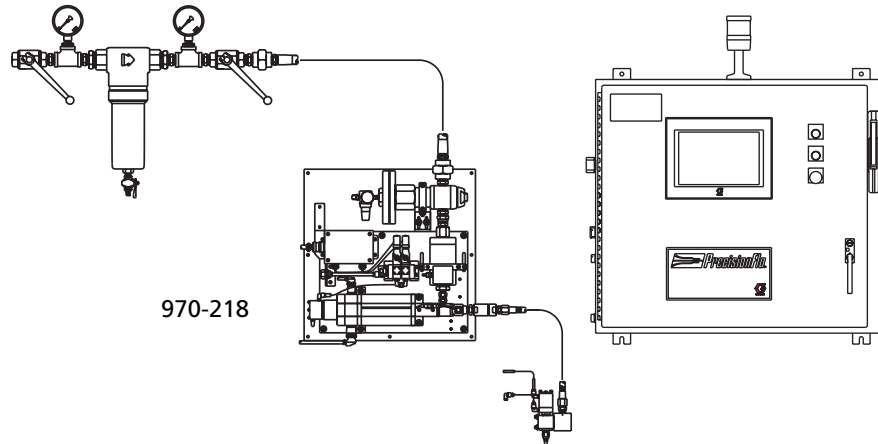
Fluid Control Regulator

Graco uses a solid tungsten carbide needle and seat with Severe-Duty needle shaft for long life. The needle is combined with all stainless steel housing construction to stand up against abrasive and corrosive materials.

Close-up view
of PrecisionFlo
Metering Assembly



PrecisionFlo Plus Ordering Information with touch screen controller technology



Automatic Extrude

For Application: Anti-Flutter (Mastic)

970-217 PrecisionFlo, Temperature Conditioned
Includes: filter, conditioned regulator, PrecisionFlo module, touch-screen controller, temperature conditioner with fluid hoses, temperature conditioned automatic snuff back dispense valve with nozzle.

970-218 PrecisionFlo, Ambient, Knife Disconnect

CE 970-267 PrecisionFlo, Ambient, Rotary Disconnect
Includes: filter, regulator, PrecisionFlo module, touch-screen controller, fluid hoses, and automatic snuff back dispense valve with nozzle.

970-219 PrecisionFlo, Heated

Includes: filter, 4-zone control panel, heated regulator, PrecisionFlo module, touch-screen controller, heated fluid hoses, and heated automatic snuff back dispense valve with nozzle.

1K Automatic Extrude or Stream

For Applications:

- Hem Flange Adhesive Bonding
- After Hem Sealing
- Structural Adhesive Bonding

970-220 PrecisionFlo, Temperature Conditioned
Includes: filter, conditioned regulator, PrecisionFlo module, touch-screen controller, temperature conditioner with fluid hoses, temperature conditioned automatic snuff back dispense valve with extrusion nozzle and streaming tip.

970-221 PrecisionFlo, Ambient, Knife Disconnect

CE 970-268 PrecisionFlo, Ambient, Rotary Disconnect
Includes: filter, regulator, PrecisionFlo module, touch-screen controller, fluid hoses, and automatic snuff back dispense valve with extrusion nozzle and streaming tip.

970-222 PrecisionFlo, Heated

Includes: filter, 4-zone control panel, heated regulator, PrecisionFlo module, touch-screen controller, heated fluid hoses, and heated automatic snuff back dispense valve with extrusion nozzle and streaming tip.

1K Automatic Swirl

For Applications:

- Hem Flange Adhesive Bonding
- After Hem Sealing
- Structural Adhesive Bonding

970-223 PrecisionFlo, Temperature Conditioned

Includes: filter, conditioned regulator, PrecisionFlo module, touch-screen controller, temperature conditioner with fluid hoses, temperature conditioned automatic snuff back dispense valve, and PrecisionSwirl applicator and tip.

970-224 PrecisionFlo, Ambient

Includes: filter, regulator, PrecisionFlo module, touch-screen controller, fluid hoses, automatic snuff back dispense valve, and PrecisionSwirl applicator and tip.

970-225 PrecisionFlo, Heated

Includes: filter, 4-zone control panel, heated regulator, PrecisionFlo module, touch-screen controller, heated fluid hoses, and heated automatic snuff back dispense valve, and PrecisionSwirl applicator and tip.

Automatic Extrude or Stream

For Application: Body Sealing

970-241 PrecisionFlo, Temperature Conditioned

Includes: filter, conditioned regulator, PrecisionFlo module, touch-screen controller, temperature conditioner with fluid hoses, temperature conditioned automatic snuff back dispense valve with extrusion nozzle and streaming tip.

970-242 PrecisionFlo, Ambient, Knife Disconnect
CE 970-274 PrecisionFlo, Ambient, Rotary Disconnect

Includes: filter, regulator, PrecisionFlo module, touch-screen controller, fluid hoses, and automatic snuff back dispense valve with extrusion nozzle and streaming tip.

970-243 PrecisionFlo, Heated

Includes: filter, 4-zone control panel, heated regulator, PrecisionFlo module, touch-screen controller, heated fluid hoses, and heated automatic snuff back dispense valve with extrusion nozzle and streaming tip.

PrecisionFlo Plus Ordering Information with touch screen controller technology (cont'd)

Automatic Swirl

For Application: *Liquid Mask Sealing*

- 970-239 PrecisionFlo, Temperature Conditioned**
Includes: filter, conditioned regulator, PrecisionFlo module, touch-screen controller, temperature conditioner with fluid hoses, temperature conditioned automatic snuff back dispense valve, and PrecisionSwirl applicator and tip.
- 970-229 PrecisionFlo, Ambient, Knife Disconnect**
CE 970-273 PrecisionFlo, Ambient, Rotary Disconnect
Includes: filter, regulator, PrecisionFlo module, touch-screen controller, fluid hoses, automatic snuff back dispense valve, and PrecisionSwirl applicator and tip.
- 970-234 PrecisionFlo, Heated**
Includes: filter, 4-zone control panel, heated regulator, PrecisionFlo module, touch-screen controller, heated fluid hoses, and heated automatic snuff back dispense valve, and PrecisionSwirl applicator and tip.
- 970-240 PrecisionFlo, Temperature Conditioned**
Includes: dual filter bank, PrecisionFlo module, touch-screen controller, temperature conditioner with fluid hoses, temperature conditioned automatic snuff back dispense valve, and PrecisionSwirl applicator and tip.
- 970-230 PrecisionFlo, Ambient, Knife Disconnect**
CE 970-275 PrecisionFlo, Ambient, Rotary Disconnect
Includes: dual filter bank, PrecisionFlo module, touch-screen controller, fluid hoses, automatic snuff back dispense valve, and PrecisionSwirl applicator and tip.
- 970-235 PrecisionFlo, Heated**
Includes: dual filter bank, 4-zone control panel, PrecisionFlo module, touch-screen controller, heated fluid hoses, and heated automatic snuff back dispense valve, and PrecisionSwirl applicator and tip.

Automatic Stream or Shower

For Application:

- *Underbody, Interior and Exterior Seam Sealing*

- 970-238 PrecisionFlo, Temperature Conditioned**
Includes: dual filter bank, PrecisionFlo module, touch-screen controller, temperature conditioner with fluid hoses, and AA3000-S stream dispense valve and streaming tip.
- 970-228 PrecisionFlo, Ambient, Knife Disconnect**
CE 970-272 PrecisionFlo, Ambient, Rotary Disconnect
Includes: dual filter bank, PrecisionFlo module, touch-screen controller, fluid hoses, and AA3000-S stream dispense valve and streaming tip.
- 970-233 PrecisionFlo, Heated**
Includes: dual filter bank, 4-zone control panel, PrecisionFlo module, touch-screen controller, heated fluid hoses, and AA3000-S stream dispense valve and streaming tip.

Automatic Extrude

For Application:

- *Underbody, Interior and Exterior Seam Sealing*

- 970-237 PrecisionFlo, Temperature Conditioned**
Includes: dual filter bank, PrecisionFlo module, touch-screen controller, temperature conditioner with fluid hoses, automatic dispense valve, and 4 in. (10 cm) compliant nozzle.
- 970-227 PrecisionFlo, Ambient, Knife Disconnect**
CE 970-271 PrecisionFlo, Ambient, Rotary Disconnect
Includes: dual filter bank, PrecisionFlo module, touch-screen controller, fluid hoses, automatic dispense valve, and 4 in. (10 cm) compliant nozzle.
- 970-232 PrecisionFlo, Heated**
Includes: dual filter bank, 4-zone control panel, PrecisionFlo module, touch-screen controller, heated fluid hoses, automatic dispense valve, and 4 in. (10 cm) compliant nozzle.
- ## Automatic Spray
- For Applications:
- *Underbody Deadener Heat Cure*
 - *Rocker Panel Anti-Chip*
- 970-236 PrecisionFlo, Temperature Conditioned**
Includes: dual filter bank, PrecisionFlo module, touch-screen controller, temperature conditioner with fluid hoses, automatic airless dispense valve, and fan spray tip.
- 970-226 PrecisionFlo, Ambient, Knife Disconnect**
CE 970-270 PrecisionFlo, Ambient, Rotary Disconnect
Includes: dual filter bank, PrecisionFlo module, touch-screen controller, fluid hoses, automatic airless dispense valve, and fan spray tip.
- 970-231 PrecisionFlo, Heated**
Includes: dual filter bank, 4-zone control panel, PrecisionFlo module, touch-screen controller, heated fluid hoses, automatic airless dispense valve, and fan spray tip.

Required and Optional Accessories for PrecisionFlo Plus

Robotic Interface

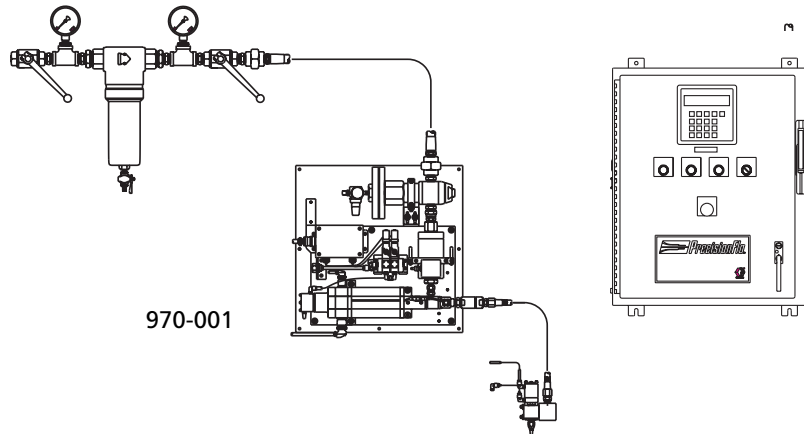
When ordering a PrecisionFlo metering package, a Robot Interface Kit is required. Select a 24 or 120 v kit.

- 918-635** 24 v Kit
918-634 120 v Kit

Transformer Kits

- 970-244** Includes a 480/240 VAC to 120 VAC, 3KVA, 50/60 hertz, 1 phase, transformer, wire, fuses, and fittings to power the PrecisionFlo Plus control panel. May be used to power the PrecisionFlo panel.
- 970-257** Includes a 380 VAC transformer to power the 120 VAC PrecisionFlo Plus control panel.
- 970-285** Includes a 480/240 VAC to 120 VAC, 5KVA, 50/60 hertz, 1 phase, transformer, wire, fuses, and fittings to power the PrecisionFlo Plus control panel. May be used to power the PrecisionFlo panel and 4-zone temperature control panel.

PrecisionFlo Ordering Information with panel-mount controller technology



Automatic Extrude

For Application: *Anti-Flutter (Mastic)*

970-000 PrecisionFlo, Temperature Conditioned
Includes: filter, conditioned regulator, PrecisionFlo module, panel-mount controller, temperature conditioner with fluid hoses, temperature conditioned automatic snuff back dispense valve with nozzle.

970-001 PrecisionFlo, Ambient, Knife Disconnect
CE 970-276 PrecisionFlo, Ambient, Rotary Disconnect
Includes: filter, regulator, PrecisionFlo module, panel-mount controller, fluid hoses, and automatic snuff back dispense valve with nozzle.

970-002 PrecisionFlo, Heated
Includes: filter, 4-zone control panel, heated regulator, PrecisionFlo module, panel-mount controller, heated fluid hoses, and heated automatic snuff back dispense valve with nozzle.

1K Automatic Extrude or Stream

For Applications:

- *Hem Flange Adhesive Bonding*
- *After Hem Sealing*
- *Structural Adhesive Bonding*

970-033 PrecisionFlo, Temperature Conditioned
Includes: filter, conditioned regulator, PrecisionFlo module, panel-mount controller, temperature conditioner with fluid hoses, temperature conditioned automatic snuff back dispense valve with extrusion nozzle and streaming tip.

970-034 PrecisionFlo, Ambient, Knife Disconnect
CE 970-277 PrecisionFlo, Ambient, Rotary Disconnect
Includes: filter, regulator, PrecisionFlo module, panel-mount controller, fluid hoses, and automatic snuff back dispense valve with extrusion nozzle and streaming tip.

970-035 PrecisionFlo, Heated
Includes: filter, 4-zone control panel, heated regulator, PrecisionFlo module, panel-mount controller, heated fluid hoses, and heated automatic snuff back dispense valve with extrusion nozzle and streaming tip.

1K Automatic Swirl

For Applications:

- *Hem Flange Adhesive Bonding*
- *After Hem Sealing*
- *Structural Adhesive Bonding*

970-045 PrecisionFlo, Temperature Conditioned
Includes: filter, conditioned regulator, PrecisionFlo module, panel-mount controller, temperature conditioner with fluid hoses, temperature conditioned automatic snuff back dispense valve, and PrecisionSwirl applicator and tip.

970-046 PrecisionFlo, Ambient, Knife Disconnect
CE 970-278 PrecisionFlo, Ambient, Rotary Disconnect
Includes: filter, regulator, PrecisionFlo module, panel-mount controller, fluid hoses, automatic snuff back dispense valve, and PrecisionSwirl applicator and tip.

970-047 PrecisionFlo, Heated
Includes: filter, 4-zone control panel, heated regulator, PrecisionFlo module, panel-mount controller, heated fluid hoses, and heated automatic snuff back dispense valve, and PrecisionSwirl applicator and tip.

Automatic Extrude or Stream

For Application: *Body Sealing*

970-081 PrecisionFlo, Temperature Conditioned
Includes: filter, conditioned regulator, PrecisionFlo module, panel-mount controller, temperature conditioner with fluid hoses, temperature conditioned automatic snuff back dispense valve with extrusion nozzle and streaming tip.

970-082 PrecisionFlo, Ambient, Knife Disconnect
CE 970-279 PrecisionFlo, Ambient, Rotary Disconnect
Includes: filter, regulator, PrecisionFlo module, panel-mount controller, fluid hoses, and automatic snuff back dispense valve with extrusion nozzle and streaming tip.

970-083 PrecisionFlo, Heated
Includes: filter, 4-zone control panel, heated regulator, PrecisionFlo module, panel-mount controller, heated fluid hoses, and heated automatic snuff back dispense valve with extrusion nozzle and streaming tip.

PrecisionFlo Ordering Information with panel-mount controller technology

Automatic Swirl

For Application: *Liquid Mask Sealing*

- 970-095 PrecisionFlo, Temperature Conditioned**
Includes: filter, conditioned regulator, PrecisionFlo module, panel-mount controller, temperature conditioner with fluid hoses, temperature conditioned automatic snuff back dispense valve, and PrecisionSwirl applicator and tip.
- 970-096 PrecisionFlo, Ambient, Knife Disconnect**
CE 970-280 PrecisionFlo, Ambient, Rotary Disconnect
Includes: filter, regulator, PrecisionFlo module, panel-mount controller, fluid hoses, automatic snuff back dispense valve, and PrecisionSwirl applicator and tip.
- 970-097 PrecisionFlo, Heated**
Includes: filter, 4-zone control panel, heated regulator, PrecisionFlo module, panel-mount controller, heated fluid hoses, and heated automatic snuff back dispense valve, and PrecisionSwirl applicator and tip.
- 970-098 PrecisionFlo, Temperature Conditioned**
Includes: dual filter bank, PrecisionFlo module, panel-mount controller, temperature conditioner with fluid hoses, temperature conditioned automatic snuff back dispense valve, and PrecisionSwirl applicator and tip.
- 970-099 PrecisionFlo, Ambient, Knife Disconnect**
CE 970-281 PrecisionFlo, Ambient, Rotary Disconnect
Includes: dual filter bank, PrecisionFlo module, panel-mount controller, fluid hoses, automatic snuff back dispense valve, and PrecisionSwirl applicator and tip.
- 970-100 PrecisionFlo, Heated**
Includes: dual filter bank, 4-zone control panel, PrecisionFlo module, heated fluid hoses, and heated automatic snuff back dispense valve, and PrecisionSwirl applicator and tip.

Automatic Stream or Shower

For Application:

- *Underbody, Interior and Exterior Seam Sealing*

- 970-101 PrecisionFlo, Temperature Conditioned**
Includes: dual filter bank, PrecisionFlo module, temperature conditioner with fluid hoses, and AA3000-S stream dispense valve and streaming tip.
- 970-102 PrecisionFlo, Ambient, Knife Disconnect**
CE 970-282 PrecisionFlo, Ambient, Rotary Disconnect
Includes: dual filter bank, PrecisionFlo module, fluid hoses, and AA3000-S stream dispense valve and streaming tip.
- 970-103 PrecisionFlo, Heated**
Includes: dual filter bank, 4-zone control panel, PrecisionFlo module, heated fluid hoses, and AA3000-S stream dispense valve and streaming tip.

Automatic Extrude

For Application:

- *Underbody, Interior and Exterior Seam Sealing*

- 970-110 PrecisionFlo, Temperature Conditioned**
Includes: dual filter bank, PrecisionFlo module, temperature conditioner with fluid hoses, automatic dispense valve, and 4 in. (10 cm) compliant nozzle.
- 970-111 PrecisionFlo, Ambient, Knife Disconnect**
CE 970-283 PrecisionFlo, Ambient, Rotary Disconnect
Includes: dual filter bank, PrecisionFlo module, fluid hoses, automatic dispense valve, and 4 in. (10 cm) compliant nozzle.
- 970-112 PrecisionFlo, Heated**
Includes: dual filter bank, 4-zone control panel, PrecisionFlo module, heated fluid hoses, automatic dispense valve, and 4 in. (10 cm) compliant nozzle.

Automatic Spray

For Applications:

- *Underbody Deadener Heat Cure*
- *Rocker Panel Anti-Chip*

- 970-127 PrecisionFlo, Temperature Conditioned**
Includes: dual filter bank, PrecisionFlo module, temperature conditioner with fluid hoses, automatic airless dispense valve, and fan spray tip.
- 970-128 PrecisionFlo, Ambient, Knife Disconnect**
CE 970-284 PrecisionFlo, Ambient, Rotary Disconnect
Includes: dual filter bank, PrecisionFlo module, fluid hoses, automatic airless dispense valve, and fan spray tip.
- 970-129 PrecisionFlo, Heated**
Includes: dual filter bank, 4-zone control panel, PrecisionFlo module, heated fluid hoses, automatic airless dispense valve, and fan spray tip.

PrecisionFlo Accessories

- C58-854 120 v Robot Interface Kit**
Includes stand alone enclosure for interfacing to a 120 v robot control. Note: PrecisionFlo control includes 24 v robotic interface.
- 970-216 Handheld Interface Pendant**
Includes handheld pendant and cable for remote interfacing to PrecisionFlo control panel.
- Transformer Kits**
- 970-244** Includes a 480/240 VAC to 120 VAC, 3KVA, 50/60 hertz, 1 phase, transformer, wire, fuses, and fittings to power the PrecisionFlo Plus control panel. May be used to power the PrecisionFlo panel.
- 970-257** Includes a 380 VAC transformer to power the 120 VAC PrecisionFlo Plus control panel.
- 970-285** Includes a 480/240 VAC to 120 VAC, 5KVA, 50/60 hertz, 1 phase, transformer, wire, fuses, and fittings to power the PrecisionFlo Plus control panel. May be used to power the PrecisionFlo panel and 4-zone temperature control panel.

Technical Specifications

Material viscosity range 10,000 to 1,000,000 cps*

Fluid inlet pressure range 500-3500 psi
(35-240 bar, 3.5-24.0 MPa)

Fluid flow rate range 0 to 3000 cc per min.*

Fluid inlet port 3/4 npt(f)

Fluid outlet port 3/8 npt(f)

Wetted parts SST (304,303), hard chrome over
17-4 pH SST, polyurethane, Buna-N, tungsten carbide

Max. fluid operating temperature 176°F (80°C)

Ambient air temperature range 40°-120°F (5°-50°C)

Response time: close to fully open 15 milliseconds

Accuracy: repeatability to set point ± 5%

Air pressure requirements 60-120 psi
(4-8.3 bar, 0.4-0.83 MPa)

Air inlet port 3/8 npt(f)

Meter package dimensions 13 in. W x 19 in. L x 8 in. H**
(33cm W x 48cm L x 20cm H)

Meter package weight 60 lbs (27 kg)**
(Includes: linear servo meter, flow meter, gun solenoid,
air shaping regulator, baseplate and mounting hardware.
Mounts to robot arm.)

Electric power requirements

120 v 1 phase, 60 Hz, 13 amps

220 v 1 phase, 50 Hz, 8 amps

100 v 1 phase, 50 Hz, 16 amps

Analog control signal from robot 0 to 10 volt
or 4 to 20 milliamp

Instruction manuals . . PrecisionFlo Metering Package: 310-540
Linear Servo Metering Valve: 308-601
Control Assembly: 310-531

* .Note: Flow rate is dependent upon material viscosity, tip size and supply pressure.

** .Note: Dimensions and weight are without mounting hardware, cables, hoses, etc.

CE Marked Products

CE denotes the package complies with the European directives for products requiring CE marking.